

1 2 3 4 5 6

A

A

B

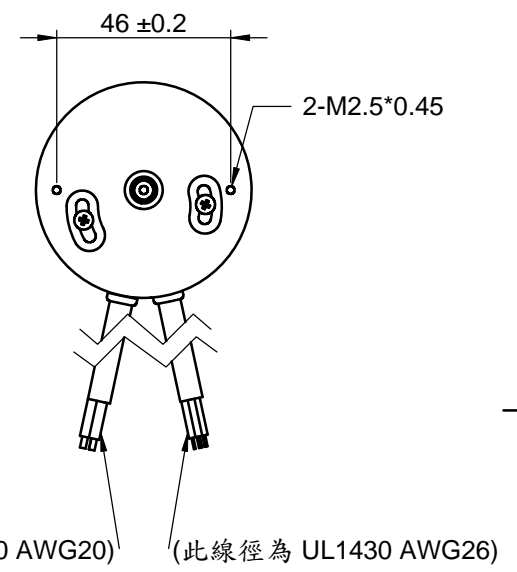
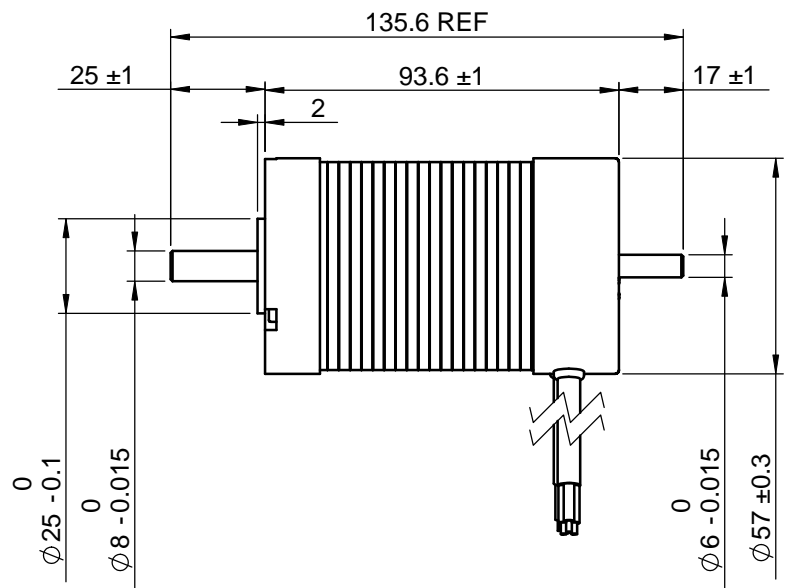
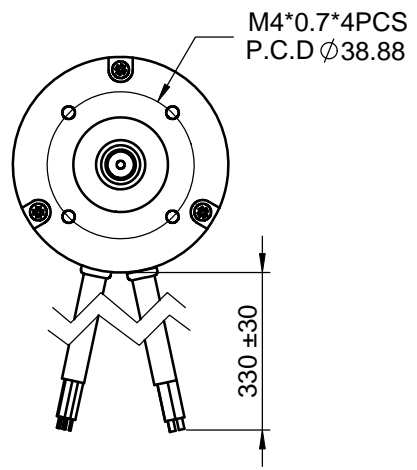
B

C

C

D

D



Hall 接線表		
Pin	Color	功能(說明)
1	Blue	Hall U
2	Black	GND
3	Green	Hall V
4	Red	+5V
5	White	Hall W

Motor 接線表		
Pin	Color	功能(說明)
1	Red	Motor U
2	Black	Motor V
3	Yellow	Motor W

MODEL		NO LOAD		AT MAXIMUM EFFICIENCY					THIRD ANGLE PROJECTION ALL DIMENSION ARE IN MM (UNLESS OTHERWISE SPECIFIED)	製圖	JOANNE	Cheshire Electric Company, LLC		
JB57-J0H1A720		SPEED	CURRENT	SPEED	CURRENT	TORQUE	OUTPUT	EFF				設計	Part No	
NOMINAL	36V DC	RPM	A	RPM	A	kg-cm	W	%	審核	材料	Name	REV. NO.	A	
		5800	0.45	5038	3.11	1.92	101.98	90.92						繪製比例: 1:2

1 2 3 4 5 6